

Guide Trough Systems

Steel Guide Troughs - One-Piece - U-Shaped

Special solutions for Series 10, 15 and B15



One-piece guide troughs made of steel are available for the following Energy Chains®: Series 10, 15 and B15. These guide troughs are available from stock for outer chain widths up to 2.36 in. (60 mm). For wider E-Chains® and Tubes, special solutions are possible with short lead times. No installation sets are required for these trough sizes since the guide troughs consist of a one-piece U-profile. The joint connection with this type of guide trough is specified individually for every application.

For the following Series

System E2 Series:

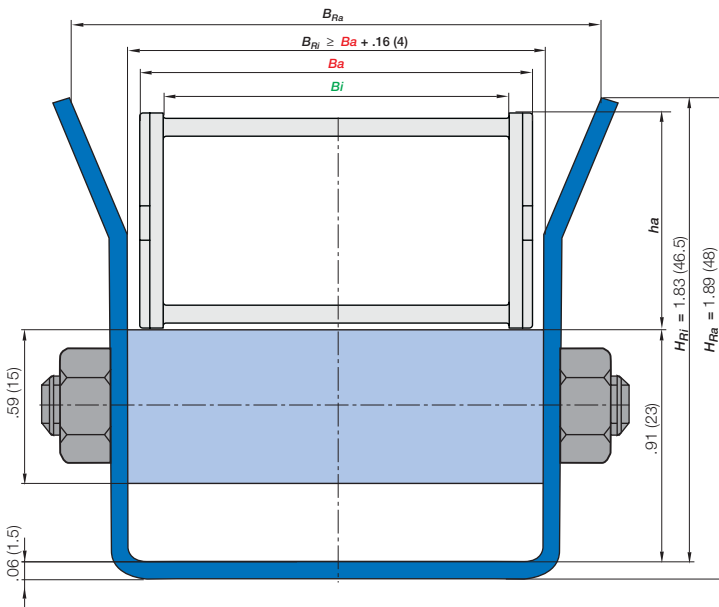
● 10

● B15

System Zipper Series:

● 15

- Ba** = Outer E-Chain® width
- Bi** = Inner E-Chain® width
- ha** = E-Chain® outer height
- H_{Ri}** = Inner trough height
- H_{Ra}** = Outer trough height
- B_{Ri}** = Inner trough width
- B_{Ra}** = Outer trough width



Dimensions Guide troughs 91-10 – 91-71

For Series	Part No.	B _{Ra} in. (mm)	B _{Ri} in. (mm)	Weight lbs/ft (kg/m)
10-015/15-015/B15-015				
Trough without glide bar 6.56 ft. (2m section)	91-10	1.59 (40.5)	1.18 (30)	1.01 (1.50)
Glide bar 6.56 ft. (2m section)	91-11	1.59 (40.5)	1.18 (30)	.30 (.45)
10-025/15-025/B15-025				
Trough without glide bar 6.56 ft. (2m section)	91-20	1.99 (50.5)	1.57 (40)	1.11 (1.65)
Glide bar 6.56 ft. (2m section)	91-21	1.99 (50.5)	1.57 (40)	.38 (.57)
10-038/15-038/B15-038				
Trough without glide bar 6.56 ft. (2m section)	91-30	2.46 (62.5)	2.05 (52)	1.21 (1.80)
Glide bar 6.56 ft. (2m section)	91-31	2.46 (62.5)	2.05 (52)	.46 (.68)
10-050/15-050/B15-050				
Trough without glide bar 6.56 ft. (2m section)	91-40	2.85 (72.5)	2.44 (62)	1.28 (1.90)
Glide bar 6.56 ft. (2m section)	91-41	2.85 (72.5)	2.44 (62)	.61 (.91)
10-5/15-5/B15-5				
Trough without glide bar 6.56 ft. (2m section)	91-50	3.60 (91.5)	3.19 (81)	1.52 (2.26)
Glide bar 6.56 ft. (2m section)	91-51	3.60 (91.5)	3.19 (81)	.84 (1.25)
10-6/15-6/B15-6				
Trough without glide bar 6.56 ft. (2m section)	91-60	4.27 (108.5)	3.86 (98)	1.83 (2.72)
Glide bar 6.56 ft. (2m section)	91-61	4.27 (108.5)	3.86 (98)	.91 (1.35)
10-7/15-7/B15-7				
Trough without glide bar 6.56 ft. (2m section)	91-70	5.06 (128.5)	4.65 (118)	2.13 (3.17)
Glide bar 6.56 ft. (2m section)	91-71	5.06 (128.5)	4.65 (118)	1.14 (1.70)

Trough material in general: St 1203 galvanized

PDF: www.igus.com/e-chain-pdfs
 Specs/CAD/RFQ: www.igus.com/e-chains
 RoHS info: www.igus.com/RoHS

