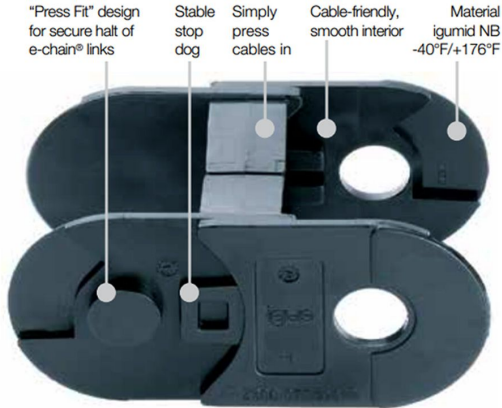


E-Z chain: "E" and "Z" makes "Easy"

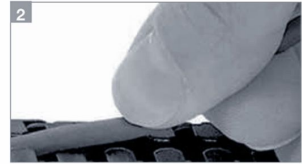
- Easy to fill from the outer (exterior) radius (Version "E") or inner radius (Version "Z")
- Fast cable accessibility without opening and closing lids
- Easy to lengthen and shorten at any point
- Low price with one-piece design
- Dirt-repellent, contoured exterior
- Mounting brackets available with integrated strain relief
- Limited torsion tolerance
- Available with interior separation (some types)
- Flammability rating UL94-V2
- Suitable for clean-room applications



Assembling | Separating | Filling | Series E03 · E04 · E/Z045



Twist and click or twist and divide



Press in cable

Assembling | Series E/Z06 · E065 · E/Z08 · E/Z14 · E/Z200 · E/Z16 · E/Z26 · E/Z300



Push and click...



Snap in pin

Filling | Series E/Z06 · E065 · E/Z08 · E/Z14 · E/Z200 · E/Z16 · E/Z26 · E/Z300

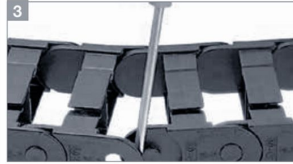


Press in cable



Pull out cable

Separating | Series E/Z06 · E065 · E/Z08 · E/Z14 · E/Z200 · E/Z16 · E/Z26 · E/Z300



Release side link



Twist and pull apart

E-version

Split crossbar along the outer radius.

Series	Inner height <i>hi</i>		Inner width <i>Bi</i>		Outer width <i>Ba</i>		Outer height <i>ha</i>		Bending radius <i>R</i>	
	in.	(mm)	in.	(mm)	in.	(mm)	in.	(mm)	in.	(mm)
E03	.20	(5)	.20 - .39	(5-10)	.34 - .54	(8.7-13.7)	.31	(8)	.39 - 1.10	(10-28)
E04	.28	(7)	.28	(7)	.51	(13)	.39	(10)	.59 - 1.89	(15-48)
E045	.37	(9.4)	.39 - 1.06	(10-27)	.63 - 1.46	(16 - 37)	.49	(12.5)	.71 - 1.50	(18-38)
E06	.41/.42	(10.5 / 10.7)	.39 - .79	(10-20)	.65 - 1.04	(16.5-26.5)	.59	(15)	.71 - 1.50	(18-38)
E065	.44	(11.3)	.63 - 1.42	(16-36)	.98 - 1.94	(24.8-49.3)	.59	(15)	.71 - 1.50	(18-38)
E08	.57/.58	(14.6 / 14.7)	.39 - 1.97	(10-50)	.72 - 2.29	(18.2-58.2)	.76	(19.3)	1.10 - 1.89	(28-48)
E14	.75	(19)	.59 - 1.97	(15-50)	1.06 - 2.44	(27-62)	.98	(25)	1.10 - 4.92	(28-125)
E200	.96	(24.3)	1.46 - 2.24	(37-57)	2.93 - 4.74	(74.4-120.4)	1.38	(35)	2.17 - 7.87	(55-200)
E16	1.26	(32)	.91 - 3.94	(23-100)	1.48 - 4.54	(37.5-115.3)	1.54	(39)	1.57 - 3.94	(40-100)
E26	1.44/1.46	(36.5 / 37.1)	1.85 - 2.95	(47-75)	3.62 - 6.57	(92-167)	1.97	(50)	2.48 - 9.84	(63-250)
E300	1.91	(48.5)	1.81 - 2.95	(46-75)	3.74 - 6.69	(95-170)	2.52	(64)	2.95 - 11.81	(75-300)



Z-version

Split crossbar along the inner radius.

Series	Inner height <i>hi</i>		Inner width <i>Bi</i>		Outer width <i>Ba</i>		Outer height <i>ha</i>		Bending radius <i>R</i>	
	in.	(mm)	in.	(mm)	in.	(mm)	in.	(mm)	in.	(mm)
Z045	.37	(9.4)	.39 - 1.06	(10-27)	.63 - 1.46	(16 - 37)	.49	(12.5)	.71 - 1.50	(18-38)
Z06	.41/.42	(10.5 / 10.7)	.39 - .79	(10-20)	.65 - 1.04	(16.5-26.5)	.59	(15)	.71 - 1.50	(18-38)
Z08	.57/.58	(14.6 / 14.7)	.39 - 1.97	(10-50)	.72 - 2.29	(18.2-58.2)	.76	(19.3)	1.10 - 1.89	(28-48)
Z14	.75	(19)	.59 - 1.97	(15-50)	1.06 - 2.44	(27-62)	.98	(25)	1.10 - 4.92	(28-125)
Z200	.96	(24.3)	1.46 - 2.24	(37-57)	2.93 - 4.74	(74.4-120.4)	1.38	(35)	2.17 - 7.87	(55-200)
Z16	1.26	(32)	.91 - 3.94	(23-100)	1.48 - 4.54	(37.5-115.3)	1.54	(39)	1.57 - 3.94	(40-100)
Z26	1.44/1.46	(36.5 / 37.1)	1.85 - 2.95	(47-75)	3.62 - 6.57	(92-167)	1.97	(50)	2.48 - 9.84	(63-250)
Z300	1.91	(48.5)	1.81 - 2.95	(46-75)	3.74 - 6.69	(95-170)	2.52	(64)	2.95 - 11.81	(75-300)